

General Care

Redistributing Toner

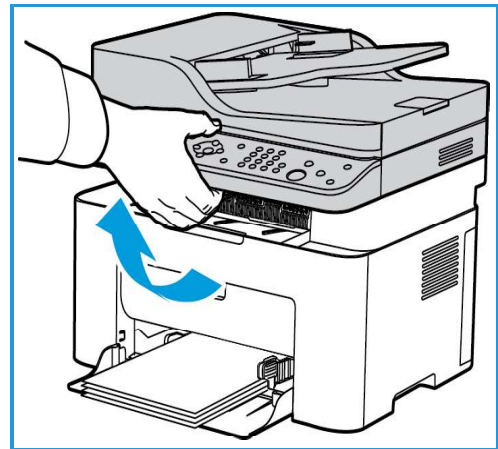
When the print cartridge is near the end of its life:

- White streaks on prints or light printing occurs.
- The low toner indicator appears on the UI if the Low Toner Alert feature was enabled.

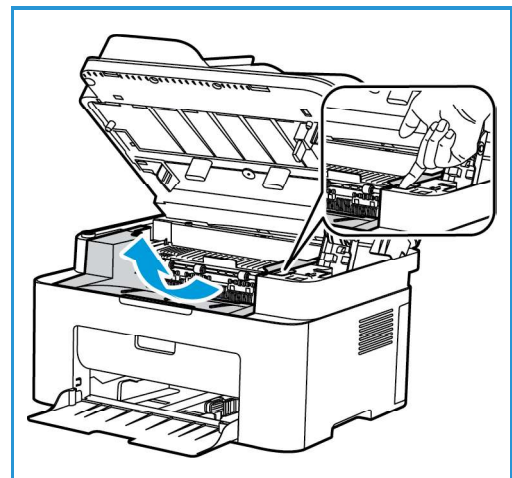
If either condition occurs, you can temporarily improve print quality by redistributing the remaining toner in the cartridge. In some cases, white streaks or light printing will still occur even after you have redistributed the toner.

Follow these steps to redistribute the toner in your print cartridge and temporarily improve print quality.


1. Lift the top cover of the machine from under the control panel.

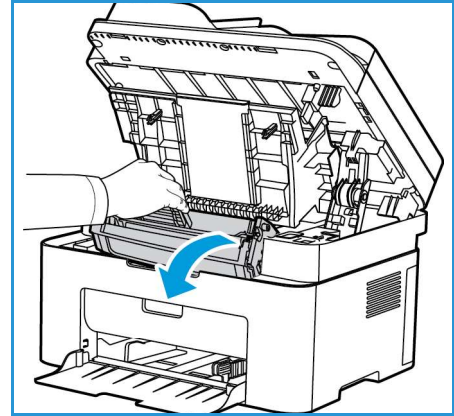


2. Reach in where the arrow indicates 'open' on the right and pull up to release the inside cover. Then lift the panel in the center of the machine to reveal the print cartridge.



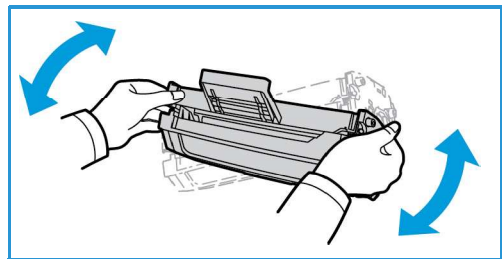
3. Pull out the print cartridge.

 **CAUTION:** Do not touch the green underside of the print cartridge. Use the handle on the cartridge to avoid touching this area.

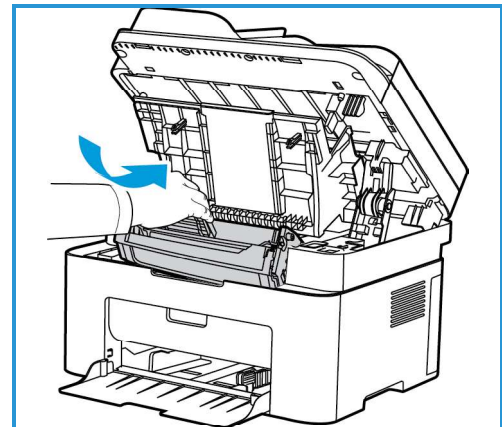


4. Slowly shake the cartridge five or six times to distribute the toner evenly inside the cartridge.

Note: If toner gets on your clothing, wipe it off with a dry cloth and wash clothing in cold water. Hot water sets toner into fabric.



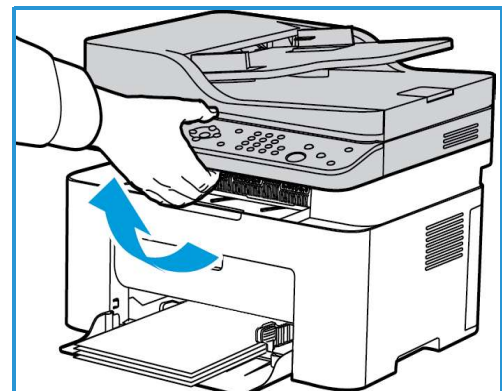
5. Re-install the print cartridge by inserting it slowly into the machine.
6. Close the top inside panel and then the top cover securely. When the Machine Status light on the control panel is solid green the machine is ready.



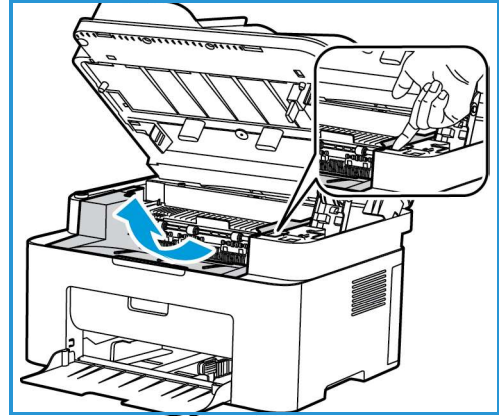
Replacing the Print Cartridge

Replace the print cartridge using the following instructions.

1. Lift the top cover of the machine from under the control panel.

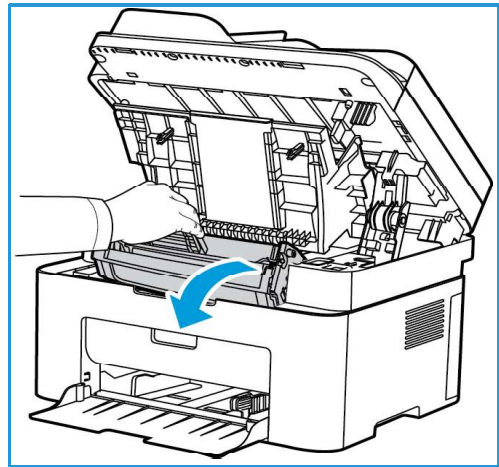


2. Reach in where the arrow indicates 'open' on the right and pull up to release the inside cover. Then lift the panel in the center of the machine to reveal the print cartridge.



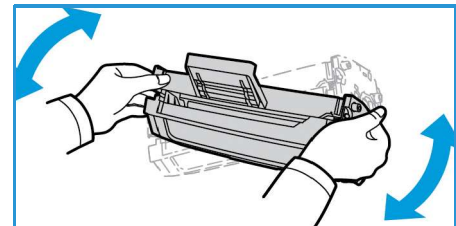
3. Pull out the print cartridge and dispose of it properly.
4. Remove the new print cartridge from its packaging as directed by the packaging labels.

CAUTION: Do not touch the green underside of the print cartridge. Use the handle on the cartridge to avoid touching this area.

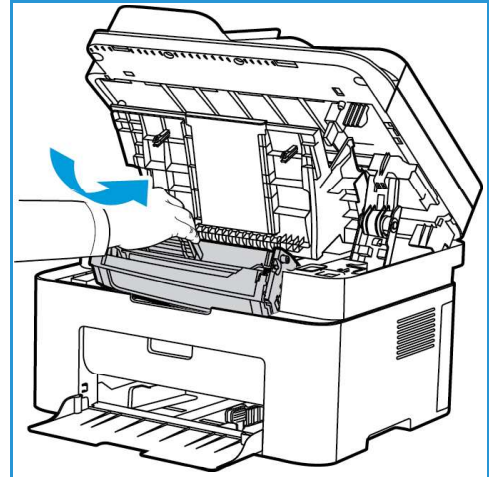


5. Slowly shake the cartridge five or six times to distribute the toner evenly inside the cartridge.

Note: If toner gets on your clothing, wipe it off with a dry cloth and wash clothing in cold water. Hot water sets toner into fabric.



6. Hold the print cartridge by the handle and slowly insert the cartridge into the opening in the machine. Tabs on the sides of the cartridge and corresponding grooves within the machine will guide the cartridge into the correct position until it locks into place.
7. Close the top panel and then the top cover. When the Machine Status light is solid green, the machine is ready.



Recycling Consumables

For information on Xerox supplies recycling programs, go to www.xerox.com/gwa.