

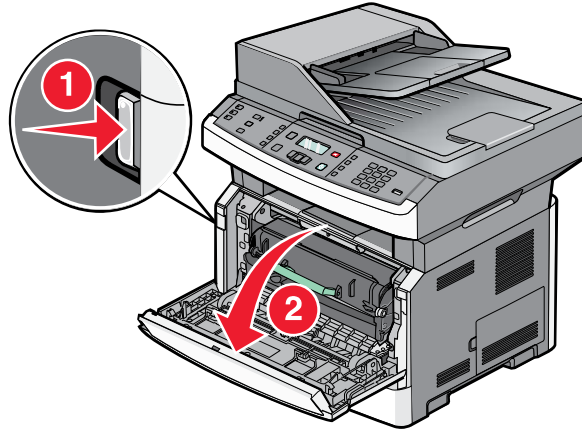
Replacing the toner cartridge

When **88 Cartridge is low** appears, or when you experience faded print, remove the toner cartridge. Firmly shake it side-to-side and front-to-back several times to redistribute the toner, and then reinsert it and continue printing. When shaking the cartridge no longer improves the print quality, replace the toner cartridge.

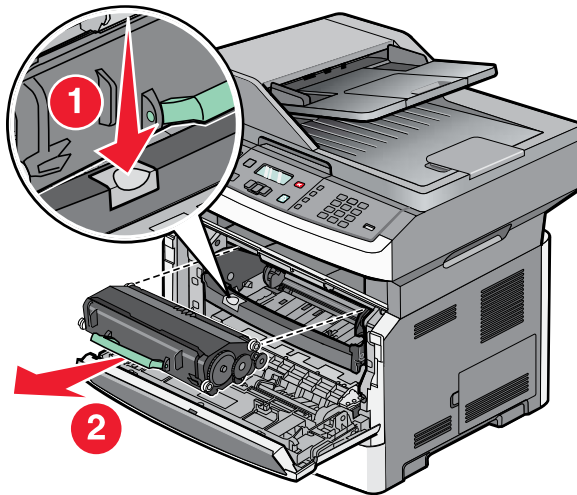
Note: You can check to see approximately how much toner is left in your cartridge by printing a menu settings page.

To replace the toner cartridge:

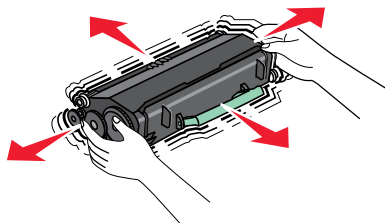
- 1 Open the front door by pressing the button on the left side of the printer and lowering the door.



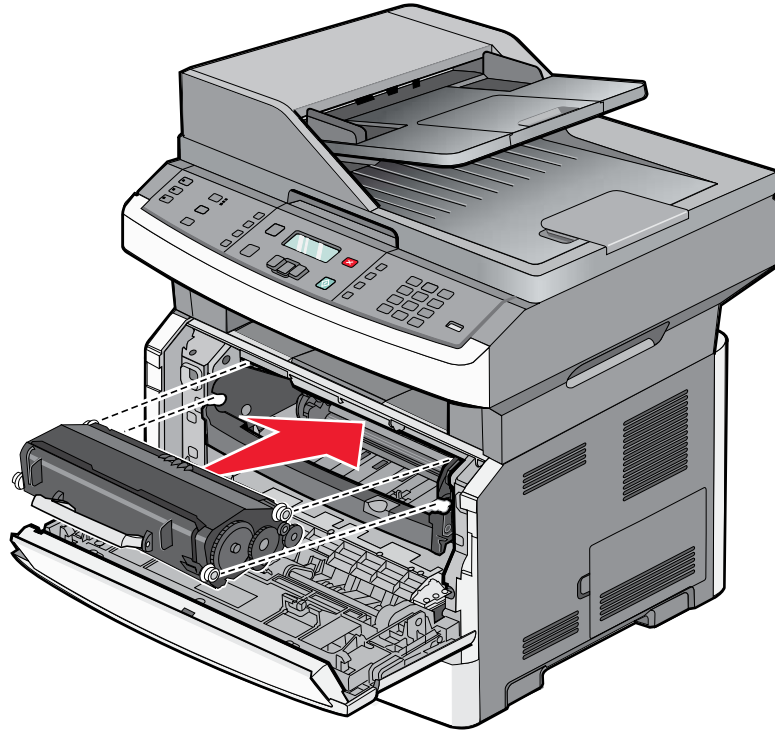
- 2 Press the button on the base of the photoconductor kit, and then pull the toner cartridge out using the handle.



- 3 Unpack the new toner cartridge.
- 4 Shake the cartridge in all directions to distribute the toner.



- 5** Install the new toner cartridge by aligning the rollers on the toner cartridge with the arrows on the tracks of the photoconductor kit. Push the toner cartridge in as far as it will go. The cartridge *clicks* into place when correctly installed.



- 6** Close the front door.