



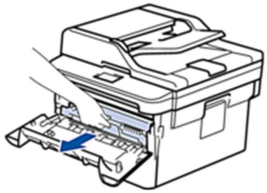
Replacing the drum unit

NOTE: Illustrations shown below are from a representative product and may differ from your Brother machine.

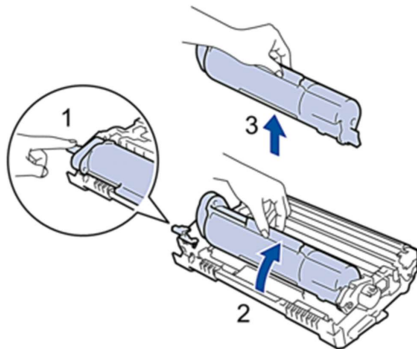
1. Make sure the machine is **turned on**.
2. Open the front cover.



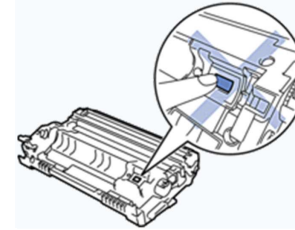
3. Remove the toner cartridge and drum unit assembly from the machine.



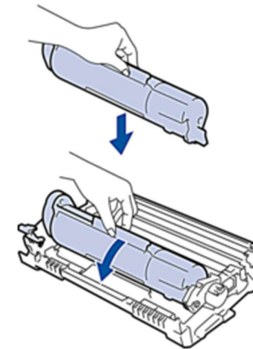
4. Push down the green lock lever, and then take the toner cartridge out of the drum unit as shown in the illustration.



To avoid staining toner on your hands or clothes, **DO NOT** touch the shaded parts shown in the illustrations.



5. Unpack the new drum unit.
6. Push the toner cartridge firmly into the new drum unit until you hear it lock into place.



Make sure you put the toner cartridge in correctly or it may separate from the drum unit.

7. Install the toner cartridge and drum unit assembly back into the machine.



8. Close the front cover of the machine.

Reset the drum counter

When you replace the drum unit with a new one, you must reset the drum counter by completing the following steps:

1. Make sure the machine is **turned on**.
2. Close the front cover.
3. Press **OK** and the **Up** arrow key at the same time.
4. Press **OK** to select **Drum**.
5. Press the **Up** arrow key to reset the drum counter.

