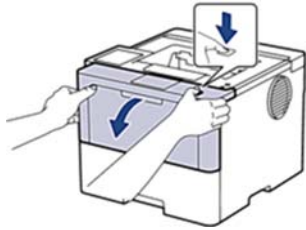


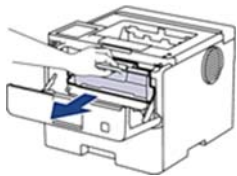


Replace the Drum Unit

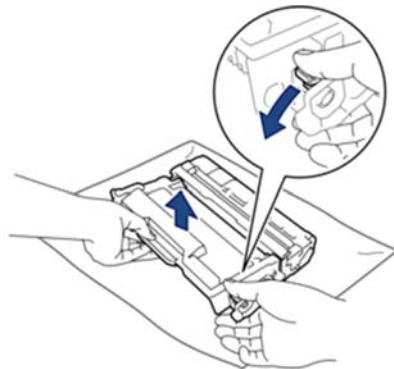
1. Make sure the machine is turned on.
2. Open the front cover.



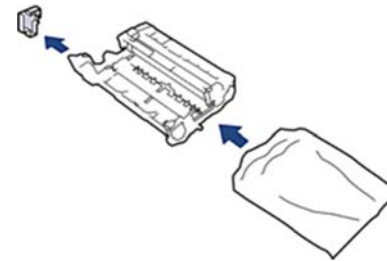
3. Remove the toner cartridge and drum unit assembly from the machine.



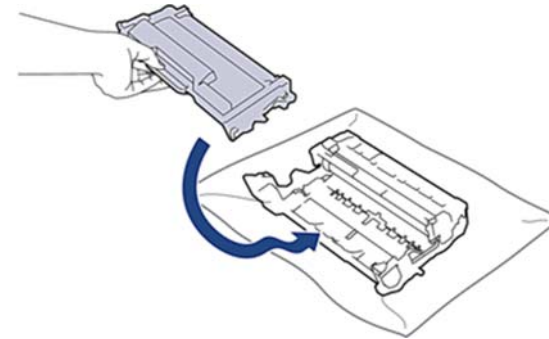
4. Push down the green lock lever and take the toner cartridge out of the drum unit.



5. Unpack the new drum unit.
6. Remove the protective cover.

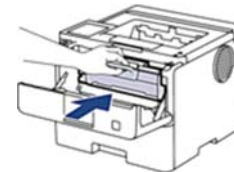


7. Push the toner cartridge firmly into the new drum unit until it locks into place.



Make sure you put the toner cartridge in correctly or it may separate from the drum unit.

8. Reinsert the toner cartridge and drum unit assembly back into the machine.

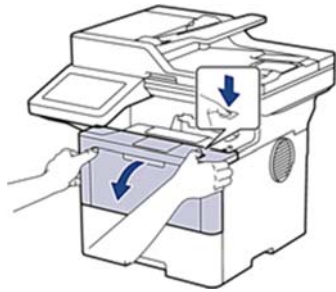


9. Close the front cover of the machine.





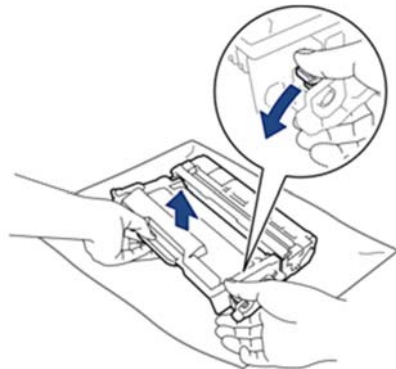
1. Make sure the machine is turned on.
2. Open the front cover.



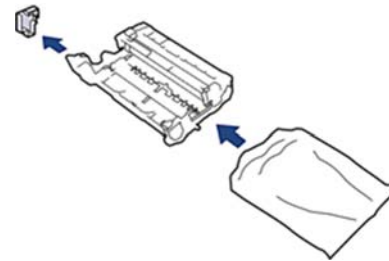
3. Remove the toner cartridge and drum unit assembly from the machine.



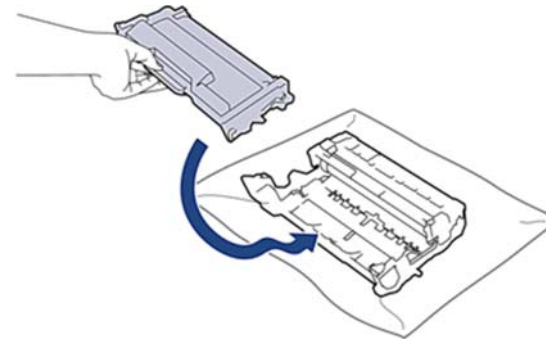
4. Push down the green lock lever and take the toner cartridge out of the drum unit.



5. Unpack the new drum unit.
6. Remove the protective cover.

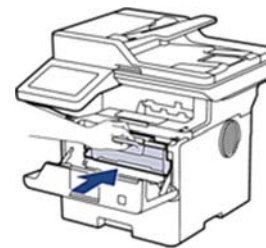


7. Push the toner cartridge firmly into the new drum unit until it locks into place.



Make sure you put the toner cartridge in correctly or it may separate from the drum unit.

8. Reinsert the toner cartridge and drum unit assembly back into the machine.



9. Close the front cover of the machine.

