
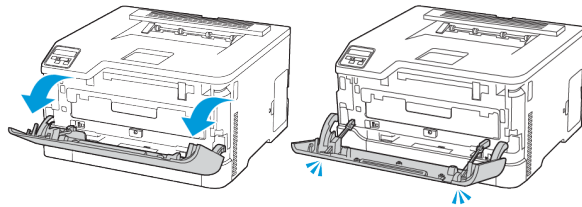


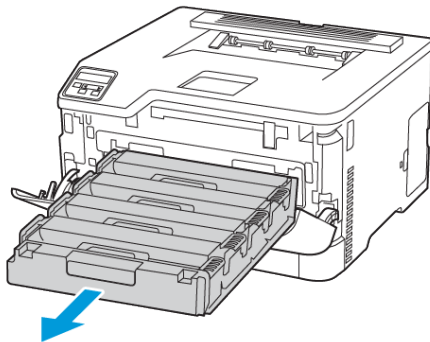
Replacing a Print Cartridge

 **Note:** If the tray is extended, then remove it before replacing a cartridge.

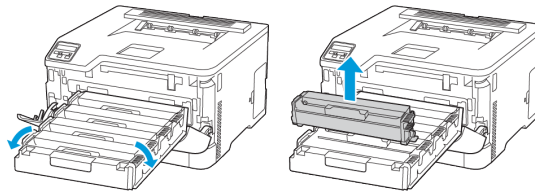
1. Open the front door, then firmly push it down.



2. Pull out the print cartridge tray.



3. Remove the used print cartridge.



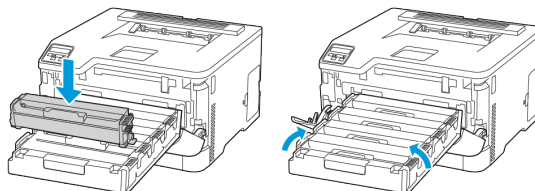
4. Unpack the new print cartridge.

Warning—Potential Damage: Do not expose the underside of the print cartridge to direct light. Extended exposure to light may cause print quality problems.

Warning—Potential Damage: Do not touch the underside of the print cartridge. Doing so may affect the quality of future print jobs.



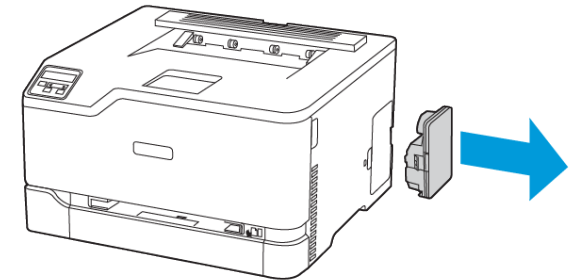
5. Insert the new print cartridge.




6. Insert the print cartridge tray, and then close the door.

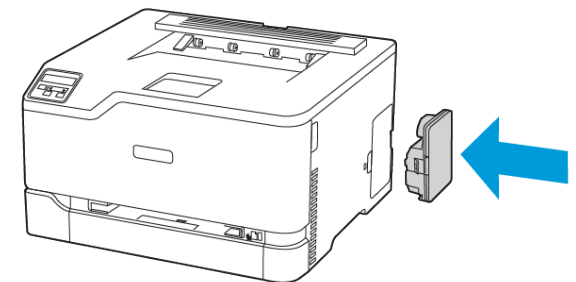
Replacing the Waste Toner Bottle

1. Remove the used waste toner bottle.

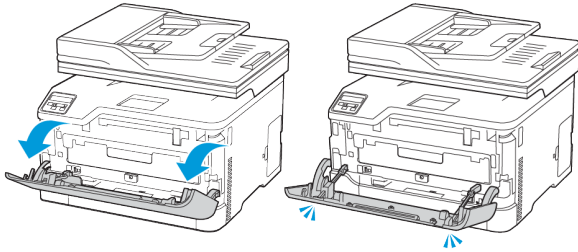


 **Note:** To avoid spilling the toner, place the bottle in an upright position.

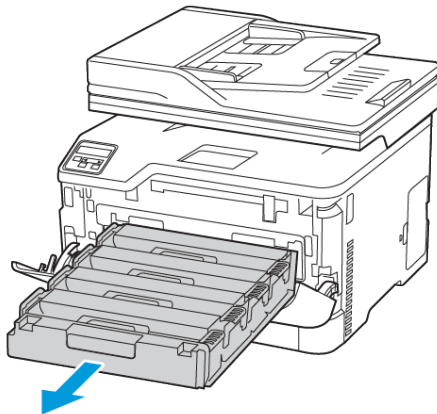
2. Unpack the new waste toner bottle.
3. Insert the new waste toner bottle.



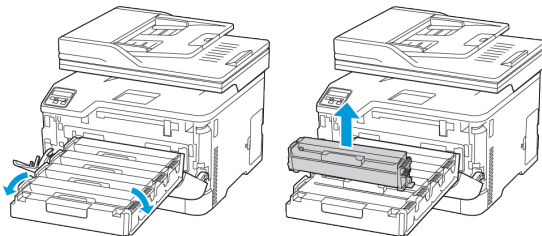
1. Open the front door, and then firmly push it down.




2. Pull out the print cartridge tray.




3. Remove the used print cartridge.



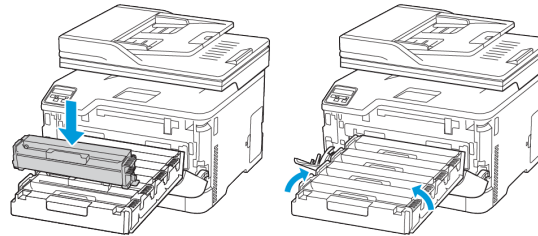
4. Unpack the new print cartridge.

 **Warning:** Do not expose the underside of the print cartridge to direct light. Extended exposure to light may cause print quality problems.

 **Warning:** Do not touch the underside of the print cartridge. Doing so may affect the quality of future print jobs.



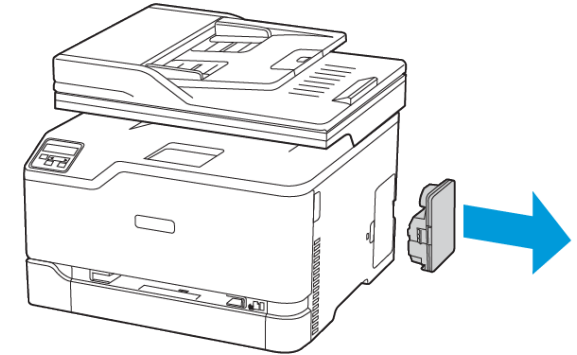
5. Insert the new print cartridge.




6. Insert the print cartridge tray, and then close the door.

Replacing the waste toner bottle

1. Remove the used waste toner bottle.



 **Note:** To avoid spilling the toner, place the bottle in an upright position.

2. Unpack the new waste toner bottle.

3. Insert the new waste toner bottle.

