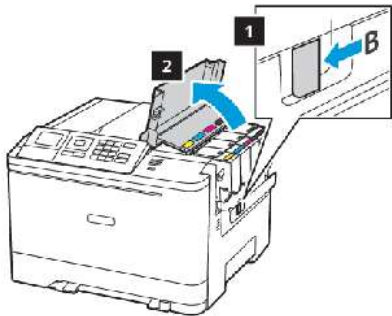
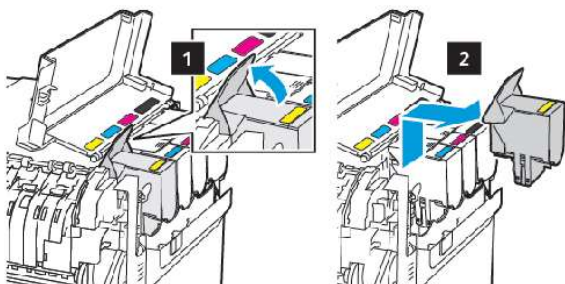


1. Open door B.

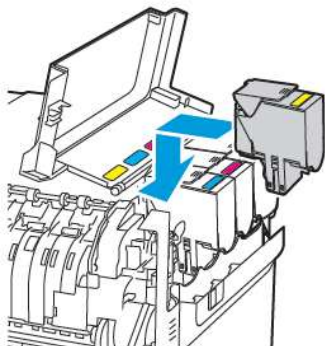


2. Remove the used toner cartridge.



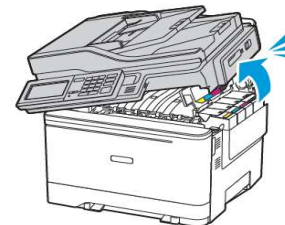
3. Unpack the new toner cartridge.

4. Insert the new toner cartridge.

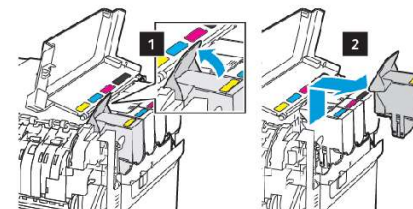


5. Close door B.

1. Open door B.

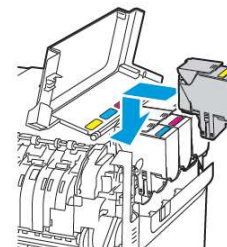


2. Remove the used toner cartridge.



3. Unpack the new toner cartridge.

4. Insert the new toner cartridge.



5. Close door B.

